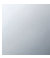

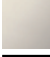


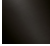


28 545 977



- 435mm projection
- rain shower Ø 200 mm
- PURE RAIN, max. flow rate 14 l/min (at 3 bar)
- rosette Ø 55 mm
- 1/2" connection
- with anti-scale system
- This product can help a building meet the requirements of Green Building Rating Systems, e.g. LEED®, BREEAM®, DGNB

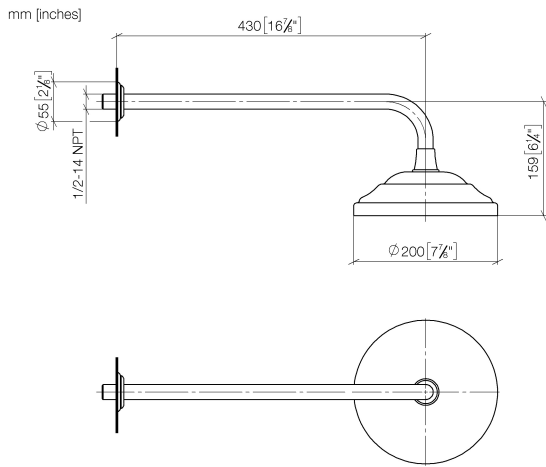
	Chrome	28 545 977-00 0050
	Brushed Platinum	28 545 977-06 0050
	Platinum	28 545 977-08 0050
	Durabrace (23kt Gold)	28 545 977-09 0050
	Brushed Durabrace (23kt Gold)	28 545 977-28 0050
	Brushed Dark Platinum	28 545 977-99 0050

Recommended miscellaneous

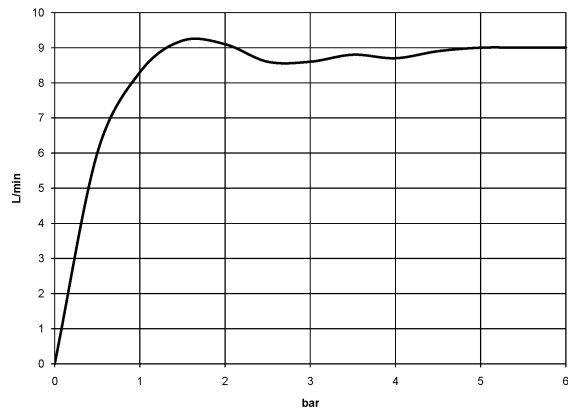


- Concealed wall elbow -** 35 085 970 90
- max. recess depth 163 mm
 - min. recess depth 90 mm

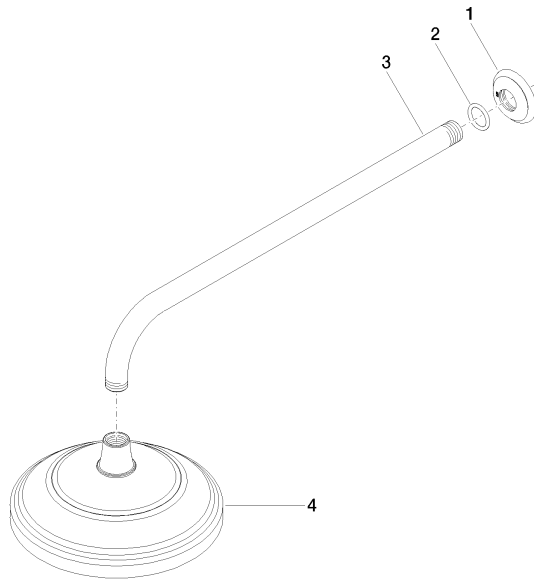
28 545 977



Flow rate chart



28 545 977



Spare parts list

No.	Item Number	Name	Quantity used	Delivery time
1	09 27 35 003-00	rosette	1	10
2	90 14 10 026 00 90	seal	1	2
3	09 11 03 017-00	connection	1	10
4	90 12 05 038 20-00	shower	1	10